

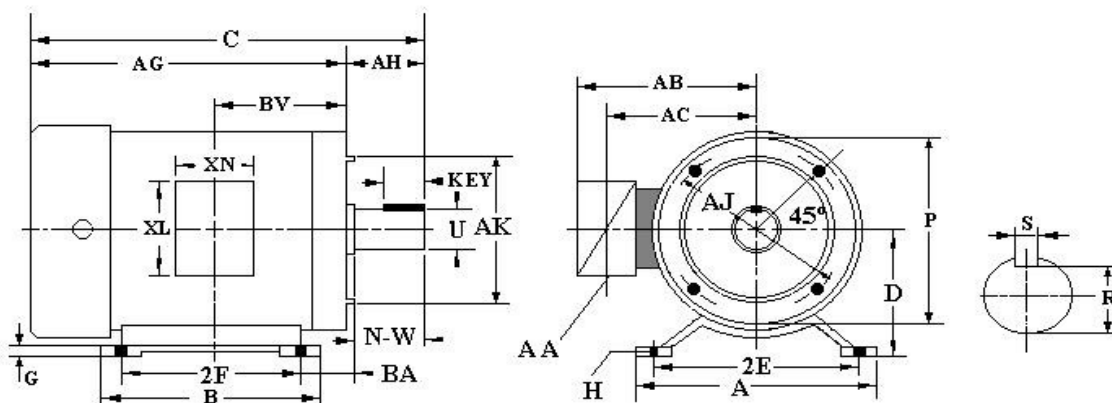


CONNEX ELECTRIC MOTORS

CSSTFIR36-056-02HCZ

Stainless Steel * TEFC * Three Phase Motor

NEMA Design B * High Efficiency * IP55 Protection * Squirrel Cage AC Motor



DIMENSIONAL DATA

MOUNTING							CONDUIT BOX					
D	E	2F	A	B	BA	H	AB	AC	XL	XN	AA	
3.5	2.44	3	6.5	6.5	2.75	1.22X.34	5.75	4.25	4.72	3.8	0.86	
MOTOR							KEYSEAT		BEARING			ENCL.
AG	AH	AJ	AK	N-W	BV	U	R	S	KEY	DE	ODE	
12	2.06	5.875	4.5	1.88	7.5	0.625	0.517	0.188	1.41	6205Z	6205Z	TEFC

PERFORMANCE DATA

50/60 Hz * Class F Insulation * 40°C Ambient * Continuous Duty * 1.15 Service Factor

HP	Frame	Full Load RPM	Efficiency%			Power Factor		Amps@460V		Full Load Torque	Locked Rotor Torque %FLT	Pull Out Torque %FLT	APP. WEIGHT lbs
			100%	75%	50%	100%	75%	Full	Locked				
			F.L.	F.L.	F.L.	F.L.	F.L.	Load	Rotor				
2	56HCZ	3480	84%	80%	76%	0.91	0.67	2.4	18.9	2.9	261%	332%	52
VAC	208-230/460V		INVERTER RATED 10:1										

CONNEX INDUSTRIAL CORP.

4975 AVALON RIDGE PKWY, SUITE 200, PEACHTREE CORNER, GA 30071

TOLL FREE: 1-877-884-2910 TEL: 770-248-9588 FAX: 770-248-9589

www.connex-electric.com