

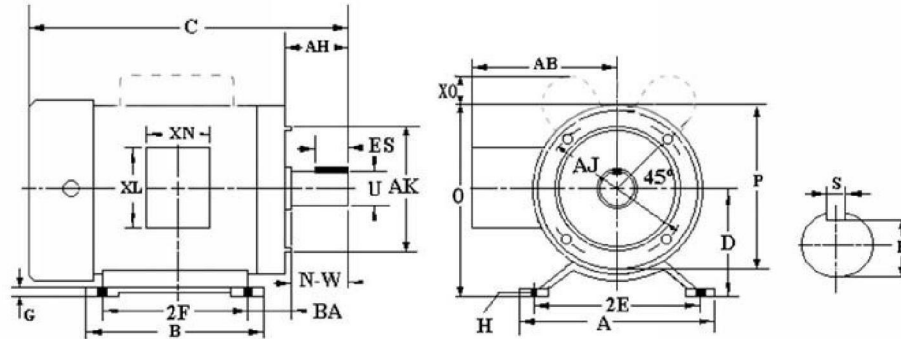


# CONNEX ELECTRIC MOTORS

## CRSTF36-056-05-AC

### Single Phase Compressor Duty Motor

NEMA Design B \* High Efficiency \* Washdown Duty \* CW Rotation only



#### DIMENSIONAL DATA

MOUNTING							CONDUIT BOX			BEARING	
D	E	2F	A	B	BA	H	AB	XL	XN	DE	ODE
3.5	2.44	3	6.5	6.5	2.75	1.22X.34	5.63	3.78	3.31	6205	6205
MOTOR DIMENSIONS							KEYSEAT				C DIM.
AH	AJ	AK	P	O	OX	N-W	U	R	S	KEY	
1.88	5.875	4.5	7.44	6.5	7.25	1.88	0.875	0.516	0.188	1.42	12.3

#### PERFORMANCE DATA

50/60 Hz \* Class F Insulation \* 40°C Ambient \* Continuous Duty \* 1.15 Service Factor

HP	FRAME	FULL LOAD RPM	EFF.	P. F	FULL LOAD AMPS	LOCKED ROTOR AMPS	VAC	LRT /TN	BRT /TN	TYPE	WGT
5	56	3450	83	0.94	23-22	133	208-230V	2.1	2	CSIR	37

#### CONNEX INDUSTRIAL CORP.

4975 AVALON RIDGE PKWY, SUITE 200, PEACHTREE CORNER, GA 30071

TOLL FREE: 1-877-884-2910 TEL: 770-248-9588 FAX: 770-248-9589

www.connex-electric.com