

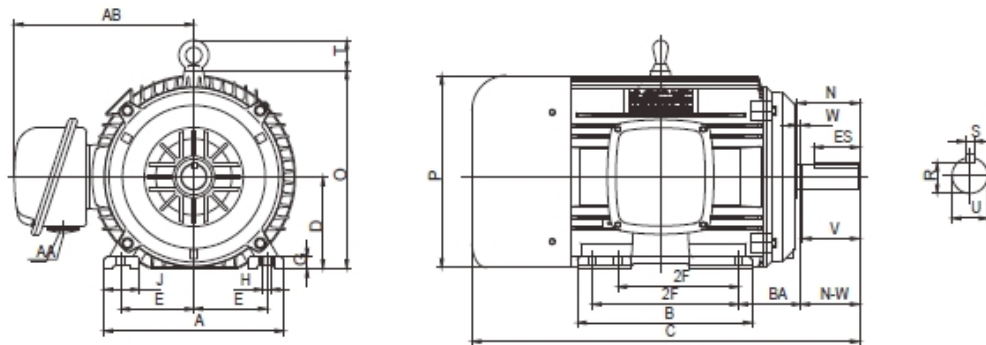


# CONNEX ELECTRIC MOTORS

## CCITP12-405-075

### Premium Efficiency Cast Iron \* TEFC \* Three Phase Motor

Design B Meets NEMA Premium \* IP55 Protection \* High Torque \* Inverter Duty



#### DIMENSIONAL DATA

MOUNTING							CONDUIT BOX		C-FLANGE		
D	E	2F	A	B	BA	H	AB	AA	AJ	AK	N
10	8	13.75	19.2	20	6.62	0.81	18.37	3			7.28
MOTOR DIMENSIONS					KEYSEAT				BEARING		
C	O	P	T	N-W	U	R	S	ES	DE	ODE	
41.36	20.96	21.56	2.84	6.62	2.875	2.45	0.75	5.65	NU316	6313C3	

#### PERFORMANCE DATA

50/60 Hz \* Class F Insulation \* 40°C Ambient \* Continuous Duty \* 1.15 Service Factor

HP	Frame	Full Load RPM	Efficiency %	Power Factor	Full Load AMPS	Locked Rotor AMPS	VAC	LRT / TN	BRT / TN	APP. WEIGHT
75	405T	1190	94.5	0.81	90.2	542.5	208-230/460V	135	200	1290

#### CONNEX INDUSTRIAL CORP.

4975 AVALON RIDGE PKWY, SUITE 200, PEACHTREE CORNER, GA 30071

TOLL FREE: 1-877-884-2910 TEL: 770-248-9588 FAX: 770-248-9589

www.connex-electric.com