

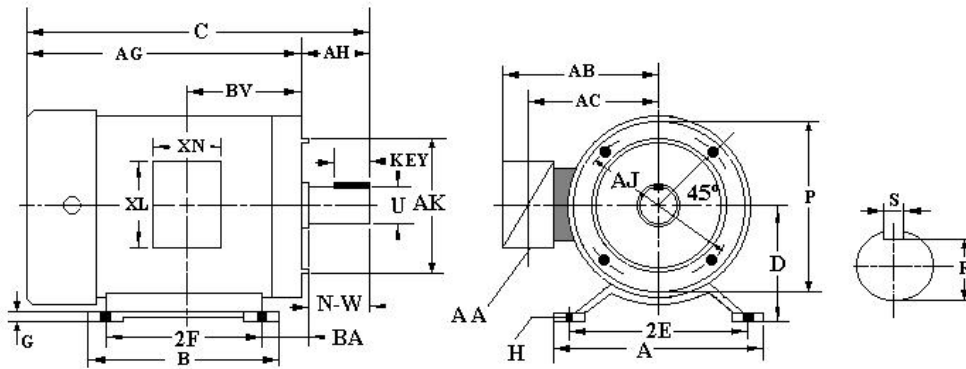


# CONNEX ELECTRIC MOTORS

## CSSTF36-145-02JM

### Stainless Steel \* TEFC \* Three Phase Motor

NEMA Design B \* High Efficiency \* IP55 Protection \* Squirrel Cage AC Motor



### DIMENSIONAL DATA

MOUNTING							CONDUIT BOX				
D	E	2F	A	B	BA	H	AB	AC	XL	XN	AA
3.5	2.75	4	6.5	6.5	2.75	1.22X.34	5.75	4.25	4.72	3.8	0.86
MOTOR DIMENSIONS					KEYSEAT				BEARING		ENCL.
C	AH	AJ	AK	N-W	U	R	S	KEY	DE	ODE	
15.84	4.28	5.875	4.5	4.25	0.875	0.771	0.187	1.65	6205Z	6205Z	TEFC

### PERFORMANCE DATA

50/60 Hz \* Class F Insulation \* 40°C Ambient \* Continuous Duty \* 1.15 Service Factor

HP	Frame	Full Load RPM	Efficiency%			Power Factor		Amps@460V		Full Load Torque	Locked Rotor Torque %FLT	Full Out Torque %FLT	APP. WEIGHT
			100% F.L.	75% F.L.	50% F.L.	100% F.L.	75% F.L.	Full Load	Locked Rotor				
2	145JM	3480	84%	80%	76%	0.91	0.67	2.4	18.9	2.9	261%	332%	47
VAC	208-230/460V												

#### CONNEX INDUSTRIAL CORP.

4975 AVALON RIDGE PKWY, SUITE 200, PEACHTREE CORNER, GA 30071

TOLL FREE: 1-877-884-2910 TEL: 770-248-9588 FAX: 770-248-9589

www.connex-electric.com