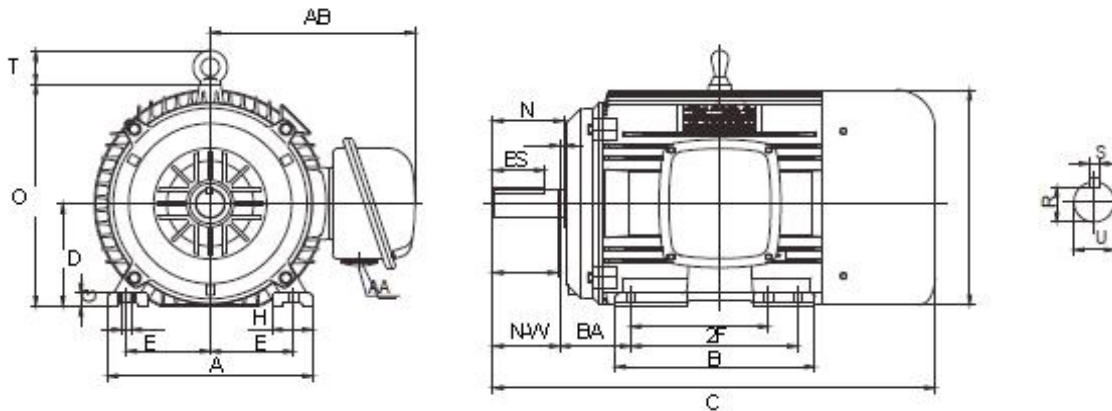


COWPT12-404-050

Oil Well Pump Cast Iron - TEFC - Three Phase Motor

Meets or Exceeds NEMA MG-1 Design D Standards, High Torque/High Slip (5-8%)



DIMENSIONAL DATA

Mounting							Conduit Box				Enclos.
D	E	2F	A	B	BA	H	AB	AA			TEFC
10	8	12.25	19.3	17.9	6.62	0.81	15.6	3			
Motor dimensions						Keyseat				Bearings	
C	N	O	P	T	N-W	U	R	S	ES	DE	ODE
38.20	7.00	19.80	19.80	3.00	7.25	2.875	2.450	0.750	5.65	NU315	6314

PERFORMANCE DATA

Three Phase - 50/60 Hz - Class F Insulation - 40°C Ambient - Continuous Duty - 1.15 Service Factor

HP	Frame	Full Load RPM	Efficiency%			Power Factor		Amps@460v		Full Load Torque (lb-ft)	Locked Rotor Torque (%)	Break Down Torque (%)	Approx Weight (lbs)
			100% F.L.	75% F.L.	50% F.L.	100% F.L.	75% F.L.	Locked Rotor	Full Load				
50	404	1140	87.5%			88.00		362.0	61.0	230.5	275%	300%	704