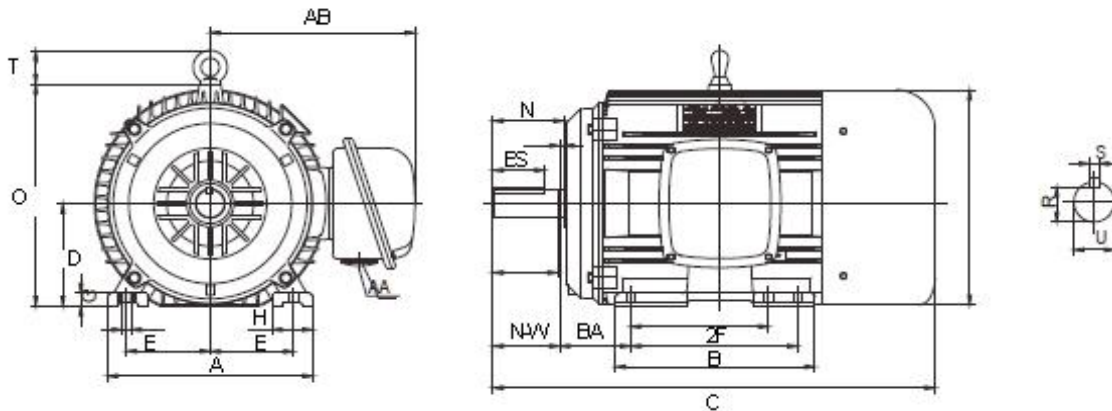




COWPT12-326-030

Oil Well Pump Cast Iron - TEFC - Three Phase Motor

Meets or Exceeds NEMA MG-1 Design D Standards, High Torque/High Slip (5-8%)



DIMENSIONAL DATA

Mounting							Conduit Box				Enclos.
D	E	2F	A	B	BA	H	AB	AA			TEFC
8	6.25	12	15.5	14.7	5.25	0.66	12.3	2			
Motor dimensions						Keyseat				Bearings	
C	N	O	P	T	N-W	U	R	S	ES	DE	ODE
31.30	5.00	15.90	15.90	2.60	5.25	2.125	1.845	0.500	3.91	6312	6312

PERFORMANCE DATA

Three Phase - 50/60 Hz - Class F Insulation - 40°C Ambient - Continuous Duty - 1.15 Service Factor

HP	Frame	Full Load RPM	Efficiency%			Power Factor		Amps@460v		Full Load Torque (lb-ft)	Locked Rotor Torque (%)	Break Down Torque (%)	Approx Weight (lbs)
			100% F.L.	75% F.L.	50% F.L.	100% F.L.	75% F.L.	Locked Rotor	Full Load				
30	326	1130	86.5%			85.00		217.0	38.5	139.5	300%	330%	519