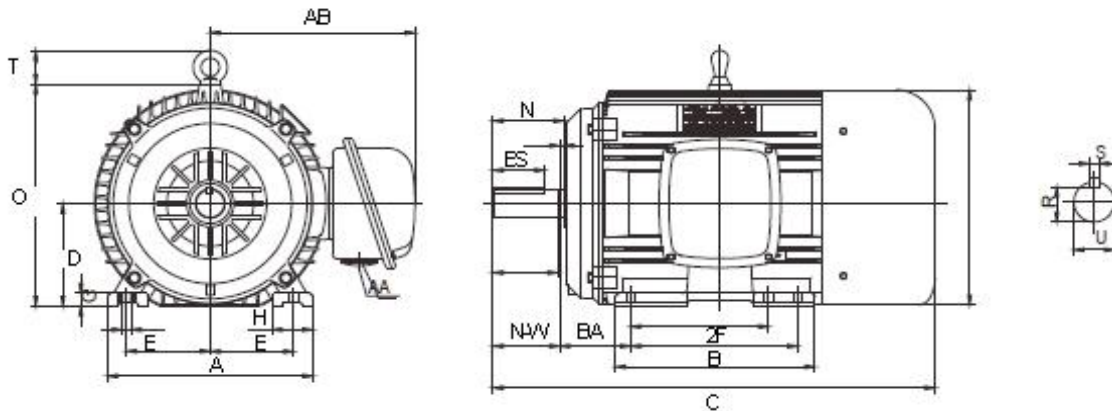


COWPT12-286-020

Oil Well Pump Cast Iron - TEFC - Three Phase Motor

Meets or Exceeds NEMA MG-1 Design D Standards, High Torque/High Slip (5-8%)



DIMENSIONAL DATA

Mounting							Conduit Box				Enclos.
D	E	2F	A	B	BA	H	AB	AA			TEFC
7	5.5	11	14	13.2	4.75	0.53	11.3	1.5			
Motor dimensions						Keyseat				Bearings	
C	N	O	P	T	N-W	U	R	S	ES	DE	ODE
28.10	4.38	14.50	14.50	2.20	4.62	1.875	1.591	0.500	3.28	6311	6311

PERFORMANCE DATA

Three Phase - 50/60 Hz - Class F Insulation - 40°C Ambient - Continuous Duty - 1.15 Service Factor

HP	Frame	Full Load RPM	Efficiency%			Power Factor		Amps@460v		Full Load Torque (lb-ft)	Locked Rotor Torque (%)	Break Down Torque (%)	Approx Weight (lbs)
			100% F.L.	75% F.L.	50% F.L.	100% F.L.	75% F.L.	Locked Rotor	Full Load				
20	286	1130	86.0%			83.00		145.0	26.5	93.0	285%	310%	370