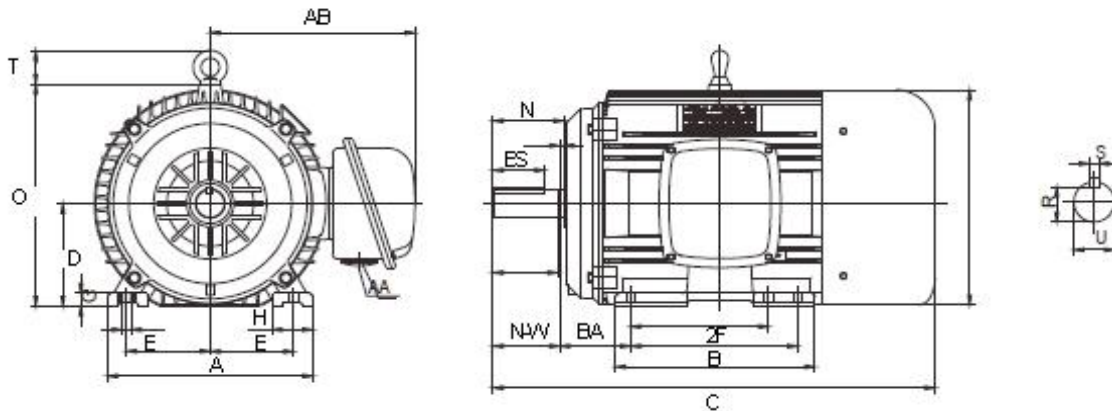


COWPT12-256-010

Oil Well Pump Cast Iron - TEFC - Three Phase Motor

Meets or Exceeds NEMA MG-1 Design D Standards, High Torque/High Slip (5-8%)



DIMENSIONAL DATA

Mounting							Conduit Box				Enclos.
D	E	2F	A	B	BA	H	AB	AA			TEFC
6.25	5	10	13	12.2	4.25	0.53	10.1	1.25			
Motor dimensions						Keyseat				Bearings	
C	N	O	P	T	N-W	U	R	S	ES	DE	ODE
25.00	3.75	13.00	13.00	2.20	4.00	1.625	1.416	0.375	2.91	6309	6309

PERFORMANCE DATA

Three Phase - 50/60 Hz - Class F Insulation - 40°C Ambient - Continuous Duty - 1.15 Service Factor

HP	Frame	Full Load RPM	Efficiency%			Power Factor		Amps@460v		Full Load Torque (lb-ft)	Locked Rotor Torque (%)	Break Down Torque (%)	Approx Weight (lbs)
			100% F.L.	75% F.L.	50% F.L.	100% F.L.	75% F.L.	Locked Rotor	Full Load				
10	256	1130	85.0%			77.00		81.0	14.4	46.5	300%	330%	274