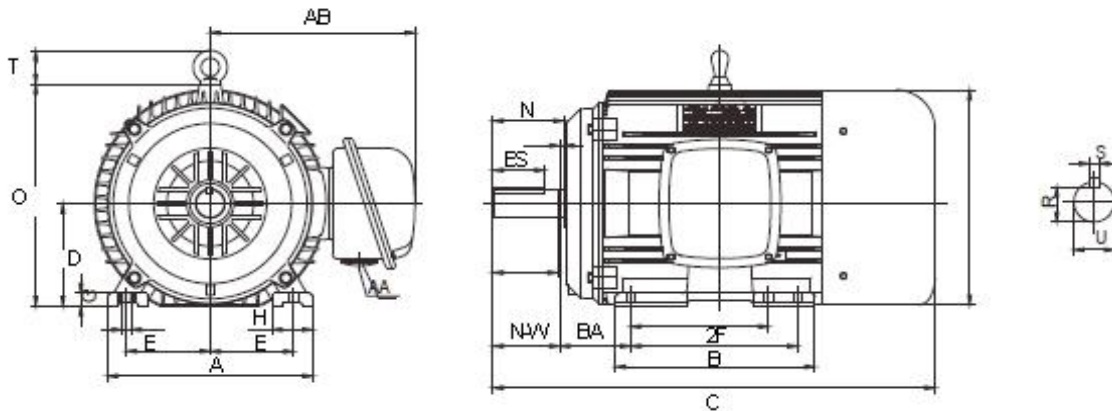




## **COWPT12-254-072**

### **Oil Well Pump Cast Iron - TEFC - Three Phase Motor**

Meets or Exceeds NEMA MG-1 Design D Standards, High Torque/High Slip (5-8%)



### **DIMENSIONAL DATA**

Mounting							Conduit Box				Enclos.
D	E	2F	A	B	BA	H	AB	AA			TEFC
6.25	5	8.25	13	12.2	4.25	0.53	10.1	1.25			
Motor dimensions						Keyseat				Bearings	
C	N	O	P	T	N-W	U	R	S	ES	DE	ODE
25.00	3.75	13.00	13.00	2.20	4.00	1.625	1.416	0.375	2.91	6309	6309

### **PERFORMANCE DATA**

Three Phase - 50/60 Hz - Class F Insulation - 40°C Ambient - Continuous Duty - 1.15 Service Factor

HP	Frame	Full Load RPM	Efficiency%			Power Factor		Amps@460v		Full Load Torque (lb-ft)	Locked Rotor Torque (%)	Break Down Torque (%)	Approx Weight (lbs)
			100% F.L.	75% F.L.	50% F.L.	100% F.L.	75% F.L.	Locked Rotor	Full Load				
7.5	254	1125	84.5%			78.00		63.0	10.8	34.9	280%	295%	250