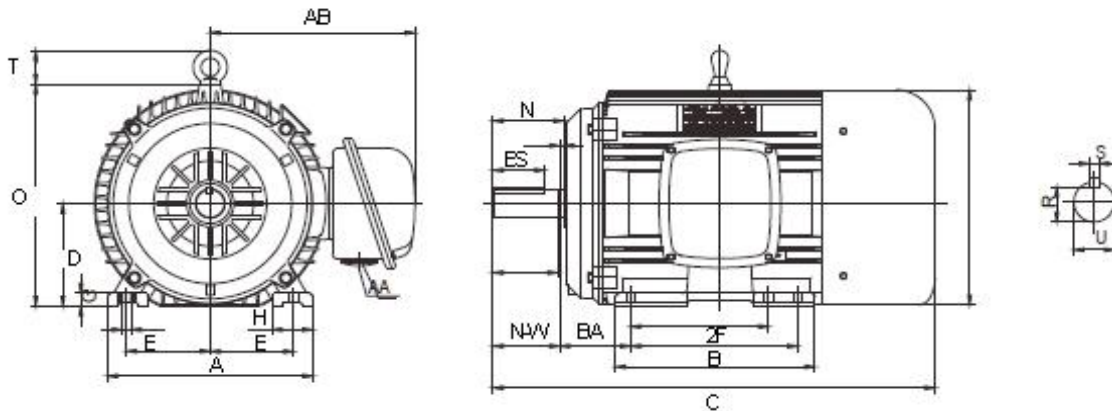


COWPT12-213-003

Oil Well Pump Cast Iron - TEFC - Three Phase Motor

Meets or Exceeds NEMA MG-1 Design D Standards, High Torque/High Slip (5-8%)



DIMENSIONAL DATA

Mounting							Conduit Box				Enclos.
D	E	2F	A	B	BA	H	AB	AA			TEFC
5.25	4.25	5.5	11	7.87	3.5	0.41	8.3	1			
Motor dimensions						Keyseat				Bearings	
C	N	O	P	T	N-W	U	R	S	ES	DE	ODE
18.90	3.12	10.50	10.50	1.90	3.38	1.375	1.201	0.312	2.41	6308	6308

PERFORMANCE DATA

Three Phase - 50/60 Hz - Class F Insulation - 40°C Ambient - Continuous Duty - 1.15 Service Factor

HP	Frame	Full Load RPM	Efficiency%			Power Factor		Amps@460v		Full Load Torque (lb-ft)	Locked Rotor Torque (%)	Break Down Torque (%)	Approx Weight (lbs)
			100% F.L.	75% F.L.	50% F.L.	100% F.L.	75% F.L.	Locked Rotor	Full Load				
3	213	1130	79.0%			74.00		32.0	5.0	14.0	330%	340%	121