

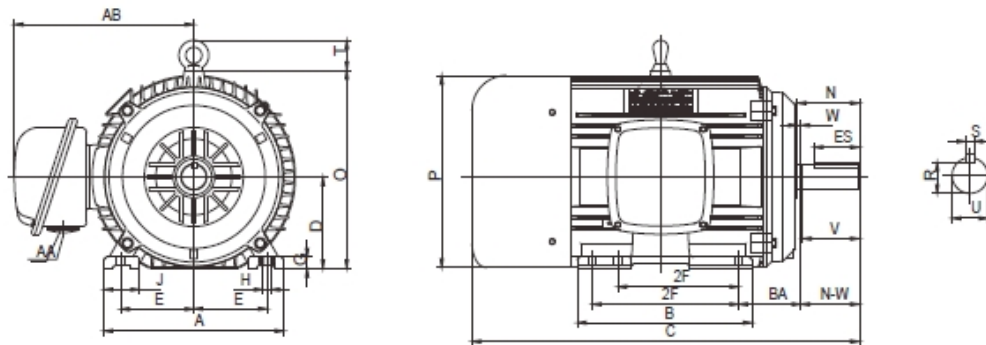


CONNEX ELECTRIC MOTORS

CCITP36-324-040

Premium Efficiency Cast Iron * TEFC * Three Phase Motor

Design B Meets NEMA Premium * IP55 Protection * High Torque * Inverter Duty



DIMENSIONAL DATA

MOUNTING							CONDUIT BOX		C-FLANGE		
D	E	2F	A	B	BA	H	AB	AA	AJ	AK	N
8	6.25	10.5	15.3	14.1	5.25	0.66	15.55	2			5.65
MOTOR DIMENSIONS					KEYSEAT				BEARING		
C	O	P	T	V	U	R	S	ES	DE	ODE	W
30.9	17.32	17.46	2.44	3.5	1.875	1.591	0.5	2.03	6312C3	6312C3	568

PERFORMANCE DATA

50/60 Hz * Class F Insulation * 40°C Ambient * Continuous Duty * 1.15 Service Factor

HP	Frame	Full Load RPM	Efficiency %	Power Factor	Full Load AMPS	Locked Rotor AMPS	VAC	LRT / TN	BRT / TN	APP. WEIGHT
40	324TS	3550	92.4	0.88	46.3	290	208-230/460V	125	200	3.75

CONNEX INDUSTRIAL CORP.

4975 AVALON RIDGE PKWY, SUITE 200, PEACHTREE CORNER, GA 30071

TOLL FREE: 1-877-884-2910 TEL: 770-248-9588 FAX: 770-248-9589

www.connex-electric.com