

**APPLICATIONS:**

- BUSINESS MACHINES**
- FANS AND BLOWERS**
- FARM EQUIPMENT**
- CONVEYORS**
- PUMPS**
- TOOLS**

**CEM™**

**STANDARD FEATURES**

- CSA CERTIFIED**
- BALL BEARINGS**
- REMOVABLE BASE**
- NEMA MG1 Part 31**
- HIGH STARTING TORQUE**
- SQUIRREL CAGE ROTOR**
- SINGLE PHASE 4 POLE, 60Hz**
- CONTINUOUS DUTY, 40°C AMBIENT**
- SERVICE FACTOR 1.15 OR BETTER**

**High Efficiency Single Phase  
Farm Duty Motors**



**CONNEX ELECTRIC MOTORS**

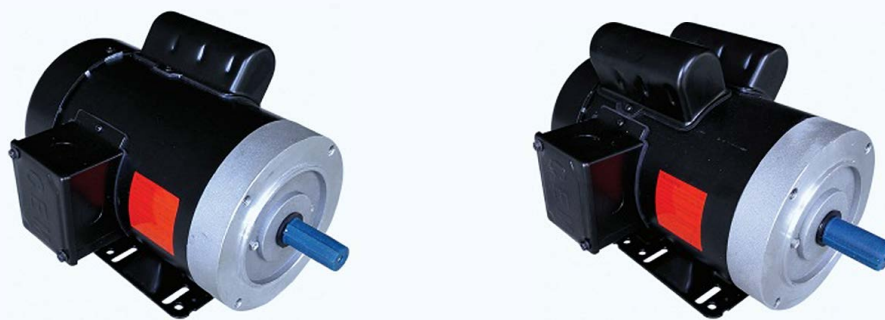
*Division of Connex Ind. Corp.*

4975 Avalon Ridge Parkway, Suite 200  
Norcross, GA 30071, USA





# FARM DUTY MOTOR

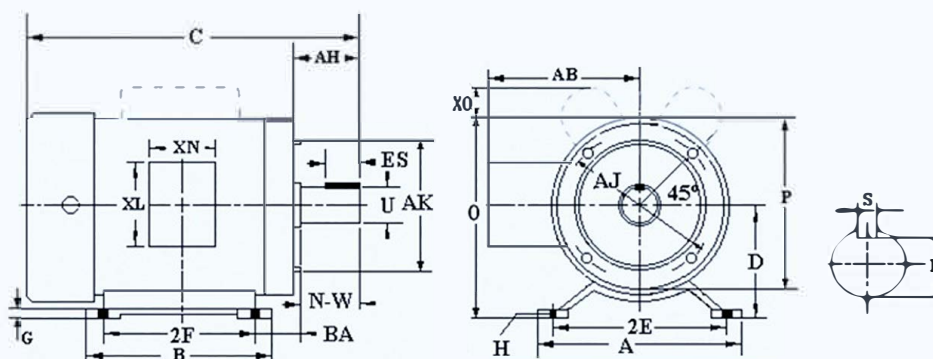


## PERFORMANCE DATA

Single Phase, 60Hz, 115V/230V, NEMA Design B, High Efficiency

TEFC, Class F Insulation, 40°C Ambient, Continuous Duty, 1.15 Service Factor. Removable Foot.

HP	Frame	Full Load RPM	Efficiency %	Power Factor	Full Load Amps	Locked Rotor Amps	LRT/TN	BRT/TN	TYPE	C Dim in inches	Approx Weight (lbs)	Enclos.
1/3	56C	1725	64.0	0.58	6.6/3.3	27.4/16.3	3.61	3.06	CSIR	12.3	22	TEFC
1/2	56C	1725	64.0	0.56	8.8/4.2	40.5/23.4	3.18	3.05	CSIR	12.3	24	TEFC
3/4	56C	1725	66.0	0.64	11.0/5.5	51.8/29.6	2.6	2.46	CSIR	12.3	26	TEFC
1	56C	1725	68.0	0.64	13.6/6.8	75.5/43.6	2.78	2.73	CSIR	13.1	28	TEFC
1 1/2	56C	1725	74.0	0.87	15.2/7.6	103/57	2.09	2.83	CSCR	13.8	31	TEFC
2	56C	1725	75.5	0.83	20.0/10.0	142/81	2.12	2.72	CSCR	14.6	41	TEFC
3	184T	1725	81.3	0.92	25.8/12.9	167/96	3.58	2.58	CSCR	17.3	86	TEFC
5	184T	1725	81.0	0.90	42.4/21.2	277/159	3.79	2.39	CSCR	18.8	106	TEFC
7 1/2	215T	1725	85.5	0.93	62.4/31.2	423/243	3.35	2.26	CSCR	21.2	158	TEFC
10	215T	1725	87.2	0.94	78.8/39.4	501/288	2.88	2.29	CSCR	22.5	185	TEFC
1/3	56C	1725	64.0	0.58	6.6/3.3	27.4/16.3	3.61	3.06	CSIR	12.3	21	ODP
1/2	56C	1725	64.0	0.56	8.8/4.2	40.5/23.4	3.18	3.05	CSIR	12.3	23	ODP
3/4	56C	1725	66.0	0.64	11.0/5.5	51.8/29.6	2.6	2.46	CSIR	12.3	25	ODP
1	56C	1725	68.0	0.64	13.6/6.8	75.5/43.6	2.78	2.73	CSIR	13.1	27	ODP
1 1/2	56C	1725	74.0	0.87	15.2/7.6	103/57	2.09	2.83	CSCR	13.8	30	ODP
2	56C	1725	75.5	0.83	20.0/10.0	142/81	2.12	2.72	CSCR	14.6	40	ODP
3	184T	1725	81.3	0.92	25.8/12.9	167/96	3.58	2.58	CSCR	17.3	86	ODP
5	184T	1725	81.0	0.90	42.4/21.2	277/159	3.79	2.39	CSCR	18.8	106	ODP
7 1/2	215T	1725	85.5	0.93	62.4/31.2	423/243	3.35	2.26	CSCR	21.2	158	ODP
10	215T	1725	87.2	0.94	78.8/39.4	501/288	2.88	2.29	CSCR	22.5	185	ODP



## DIMENSIONAL DATA

Frame	Mounting							Conduit Box			Motor Dimension						Keyseat				Bearings		Enclos.	
	D	E	2F	A	B	BA	H	AB	XL	XN	AH	AJ	AK	P	O	XO	N-W	U	R	S	KEY	ODE		DE
56C	3.5	2.44	3.0	6.5	6.5	2.75	1.22X.34	5.315	3.78	3.31	1.88	5.875	4.5	7.44	6.5	7.5	1.88	0.625	0.516	0.188	1.42	6203	6203	TEFC
184T	4.50	3.75	5.50	8.50	6.50	2.75	0.43	7.36	7.83	7.83	2.87	N/A	N/A	9.92	9.5	10.6	2.75	1.125	0.986	0.25	0.25	6206	6206	TEFC
215T	5.25	4.25	7.00	9.40	8.00	3.50	0.43	7.95	7.83	7.83	3.63	N/A	N/A	11.1	10.8	11.9	3.38	1.375	1.201	0.312	0.312	6306	6307	TEFC