

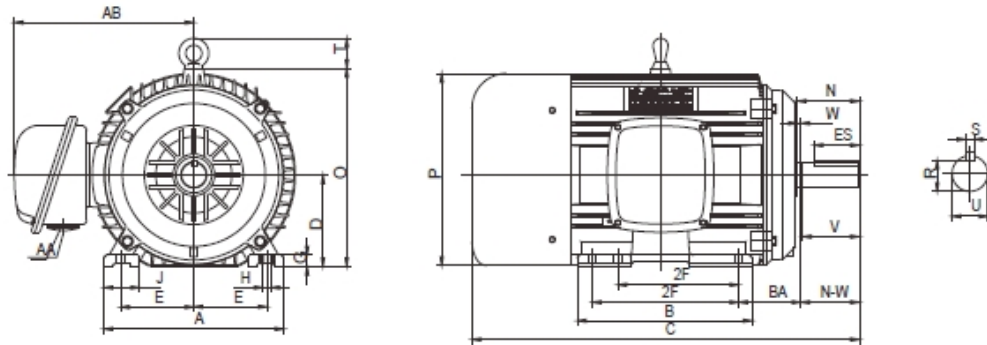


# CONNEX ELECTRIC MOTORS

## CCITP12-286-020

### Premium Efficiency Cast Iron \* TEFC \* Three Phase Motor

Design B Meets NEMA Premium \* IP55 Protection \* High Torque \* Inverter Duty



#### DIMENSIONAL DATA

MOUNTING							CONDUIT BOX		C-FLANGE		
D	E	2F	A	B	BA	H	AB	AA	AJ	AK	N
7	5.5	11	13.8	13.6	4.75	0.53	13.98	1.5			5.02
MOTOR DIMENSIONS					KEYSEAT				BEARING		
C	O	P	T	N-W	U	R	S	ES	DE	ODE	
30.2	15.6	15.63	2.44	4.62	1.875	1.591	0.5	3.28	6311C3	6309C3	

#### PERFORMANCE DATA

50/60 Hz \* Class F Insulation \* 40°C Ambient \* Continuous Duty \* 1.15 Service Factor

HP	Frame	Full Load RPM	Efficiency %	Power Factor	Full Load AMPS	Locked Rotor AMPS	VAC	LRT / TN	BRT / TN	APP. WEIGHT
20	286T	1180	91.7	0.79	26	145	208-230/460V	135	200	429

#### CONNEX INDUSTRIAL CORP.

4975 AVALON RIDGE PKWY, SUITE 200, PEACHTREE CORNER, GA 30071

TOLL FREE: 1-877-884-2910 TEL: 770-248-9588 FAX: 770-248-9589

www.connex-electric.com